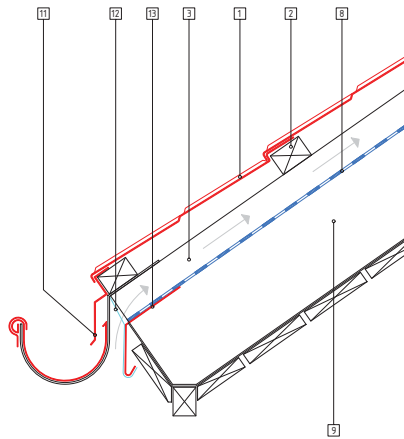


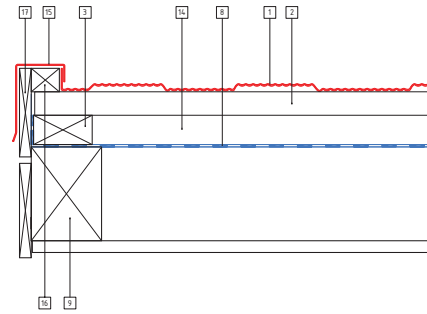
INTERSECTION DRAWINGS SENATOR SHINGLE TILE

EAVES FLASHING



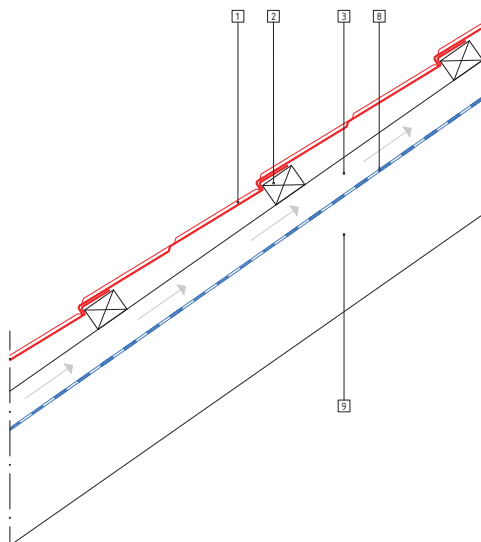
- 1 Tile
- 2 Tile Batten
- 3 Ventilation Space Batten
- 8 Underlay
- 9 Rafter
- 11 Eaves Flashing
- 12 Mesh
- 13 Eaves Guard Flashing

BOX BARGE



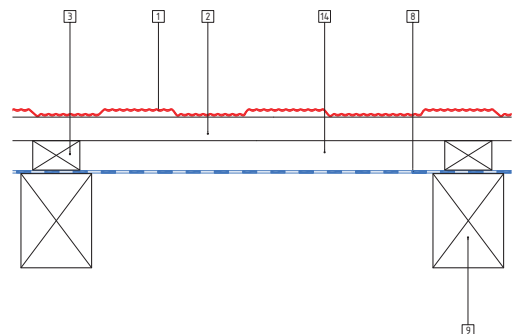
- 1 Tile
- 2 Tile Batten
- 3 Ventilation Space Batten
- 8 Underlay
- 9 Rafter
- 14 Ventilation Space
- 15 Box Barge
- 16 Gable Batten
- 17 Barge Board

BASIC PRINCIPLE 1



- 1 Tile
- 2 Tile Batten
- 3 Ventilation Space Batten
- 8 Underlay
- 9 Rafter

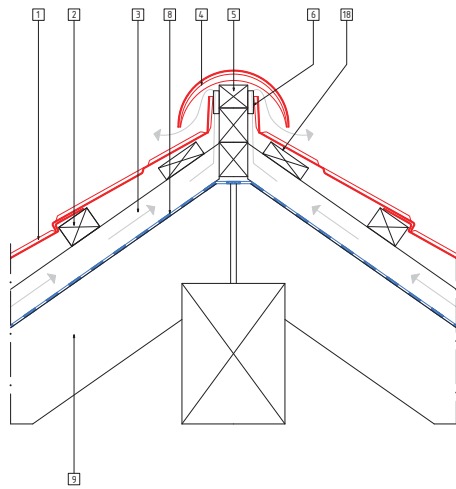
BASIC PRINCIPLE 2



- 1 Tile
- 2 Tile Batten
- 3 Ventilation Space Batten
- 8 Underlay
- 9 Rafter
- 14 Ventilation Space

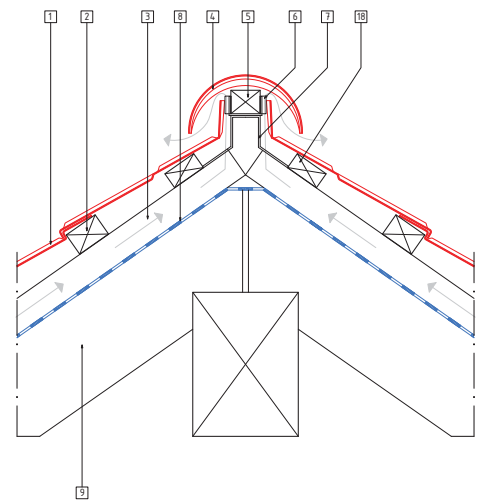
INTERSECTION DRAWINGS SENATOR SHINGLE TILE

RIDGE



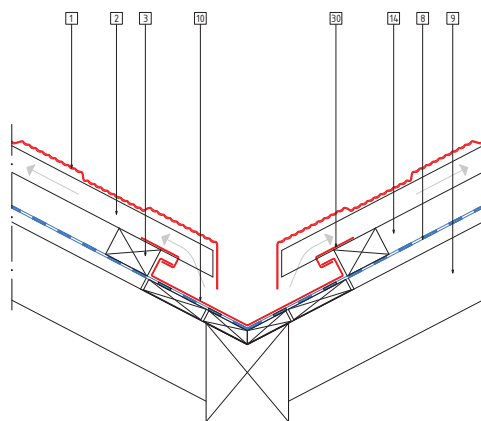
- 1 Tile
- 2 Tile Batten
- 3 Ventilation Space Batten
- 4 Barrel
- 5 Ridge Batten
- 6 Spacer
- 8 Underlay
- 9 Rafter
- 18 Thinner Support Batten

RIDGE 1



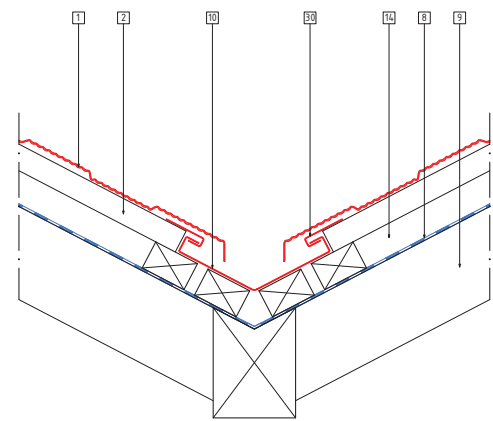
- 1 Tile
- 2 Tile Batten
- 3 Ventilation Space Batten
- 4 Batten
- 5 Ridge Batten
- 6 Spacer
- 7 Ridge Bracket
- 8 Underlay
- 9 Rafter
- 18 Thinner Support Batten

VALLEY



- 1 Tile
- 2 Tile Batten
- 3 Ventilation Space Batten
- 8 Underlay
- 9 Rafter
- 10 Valley
- 14 Ventilation Space
- 30 Clip

VALLEY 1

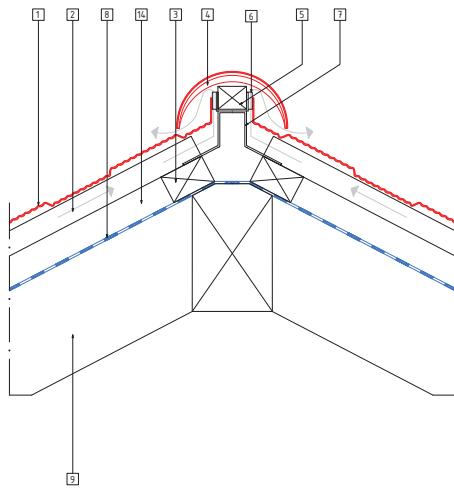


- 1 Tile
- 2 Tile Batten
- 3 Ventilation Space Batten
- 8 Underlay
- 9 Rafter
- 10 Valley
- 14 Ventilation Space
- 30 Clip

All the intersection drawings are available in full A4 format upon request.

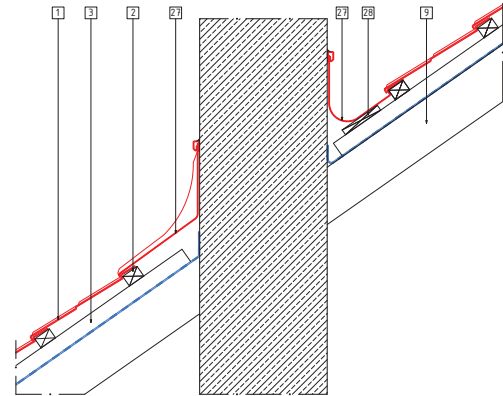
INTERSECTION DRAWINGS SENATOR SHINGLE TILE

HIP



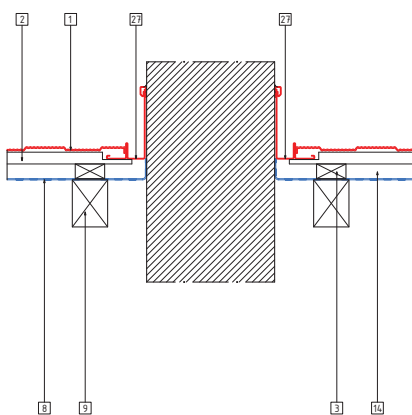
- | | |
|-----------------------------------|-----------------------------|
| 1 Tile | 6 Spacer |
| 2 Tile Batten | 7 Hip Bracket |
| 3 Ventilation Space Batten | 8 Underlay |
| 4 Barrel | 9 Rafter |
| 5 Hip Batten | 14 Ventilation Space |

CHIMNEY FLASHING



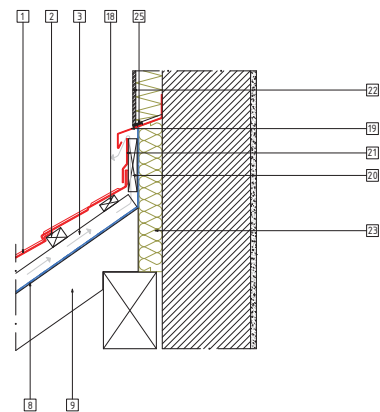
- | |
|-----------------------------------|
| 1 Tile |
| 2 Tile Batten |
| 3 Ventilation Space Batten |
| 9 Rafter |
| 27 Chimney Flashing |
| 28 Board |

CHIMNEY FLASHING



- | |
|-----------------------------------|
| 1 Tile |
| 2 Tile Batten |
| 3 Ventilation Space Batten |
| 8 Underlay |
| 9 Rafter |
| 27 Chimney Flashing |

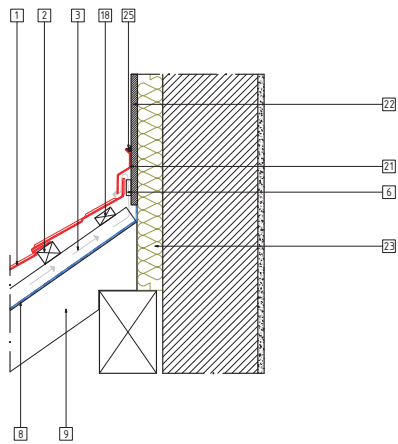
TOP WALL FLASHING



- | | |
|-----------------------------------|-------------------------------------|
| 1 Tile | 19 Top Wall Starter Flashing |
| 2 Tile Batten | 20 Top Wall Spacer |
| 3 Ventilation Space Batten | 21 Side Flashing |
| 8 Underlay | 22 Render |
| 9 Rafter | 23 Warmth Insulation |
| 18 Support Batten | 25 Sealant |

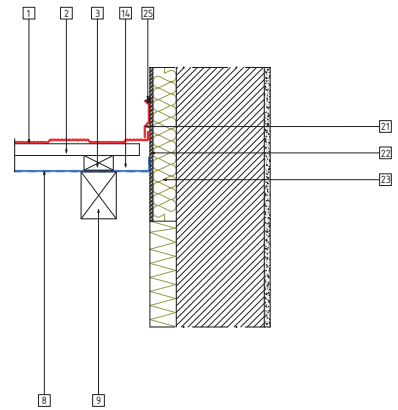
INTERSECTION DRAWINGS SENATOR SHINGLE TILE

TOP WALL FLASHING



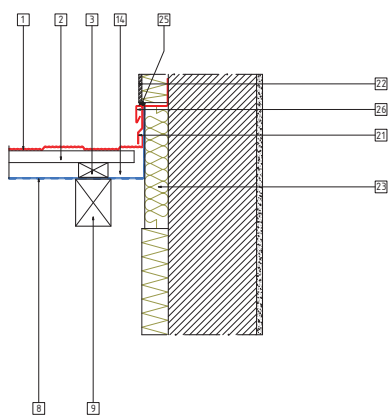
- | | |
|-----------------------------------|-----------------------------|
| 1 Tile | 21 Side Flashing |
| 2 Tile Batten | 22 Render |
| 3 Ventilation Space Batten | 23 Warmth Insulation |
| 6 Spacer | 25 Sealant |
| 8 Underlay | |
| 9 Rafter | |
| 18 Support Batten | |

WALL FLASHING



- | | |
|-----------------------------------|-----------------------------|
| 1 Tile | 21 Side flashing |
| 2 Tile Batten | 22 Render |
| 3 Ventilation Space Batten | 23 Warmth Insulation |
| 8 Underlay | 25 Sealant |
| 9 Rafter | |
| 14 Ventilation Space | |

WALL FLASHING



- | | |
|-----------------------------------|--------------------------------------|
| 1 Tile | 21 Side flashing |
| 2 Tile Batten | 22 Render |
| 3 Ventilation Space Batten | 23 Warmth Insulation |
| 8 Underlay | 25 Sealant |
| 9 Rafter | 26 Side Wall Starter Flashing |
| 14 Ventilation Space | |

All the intersection drawings are available in full A4 format upon request.